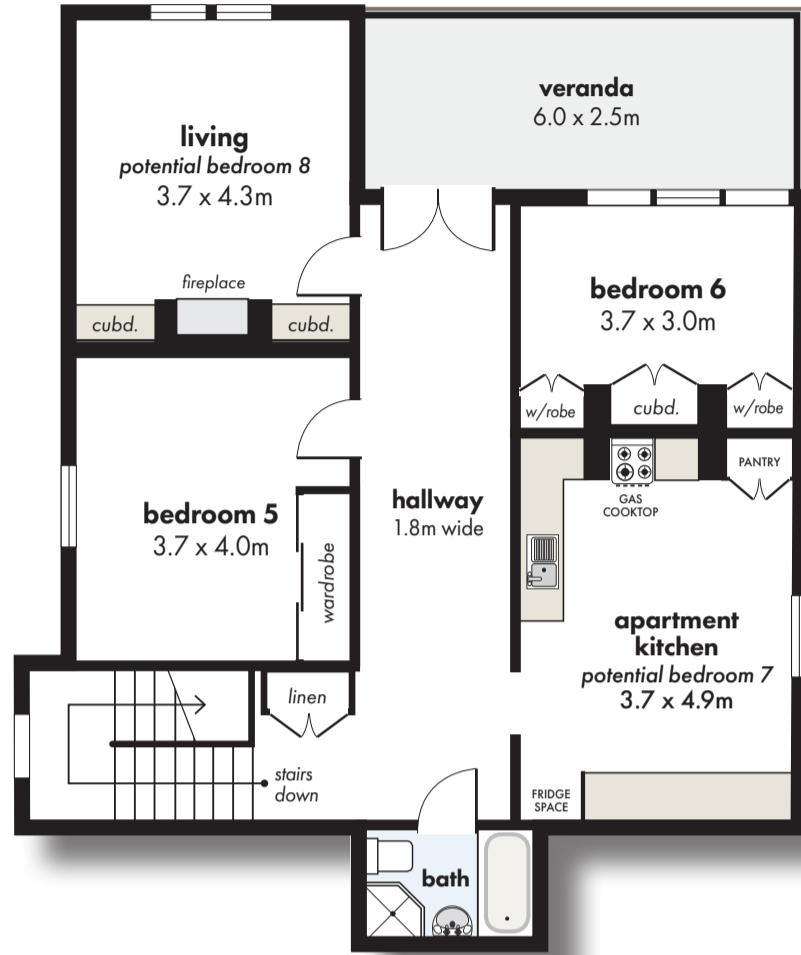
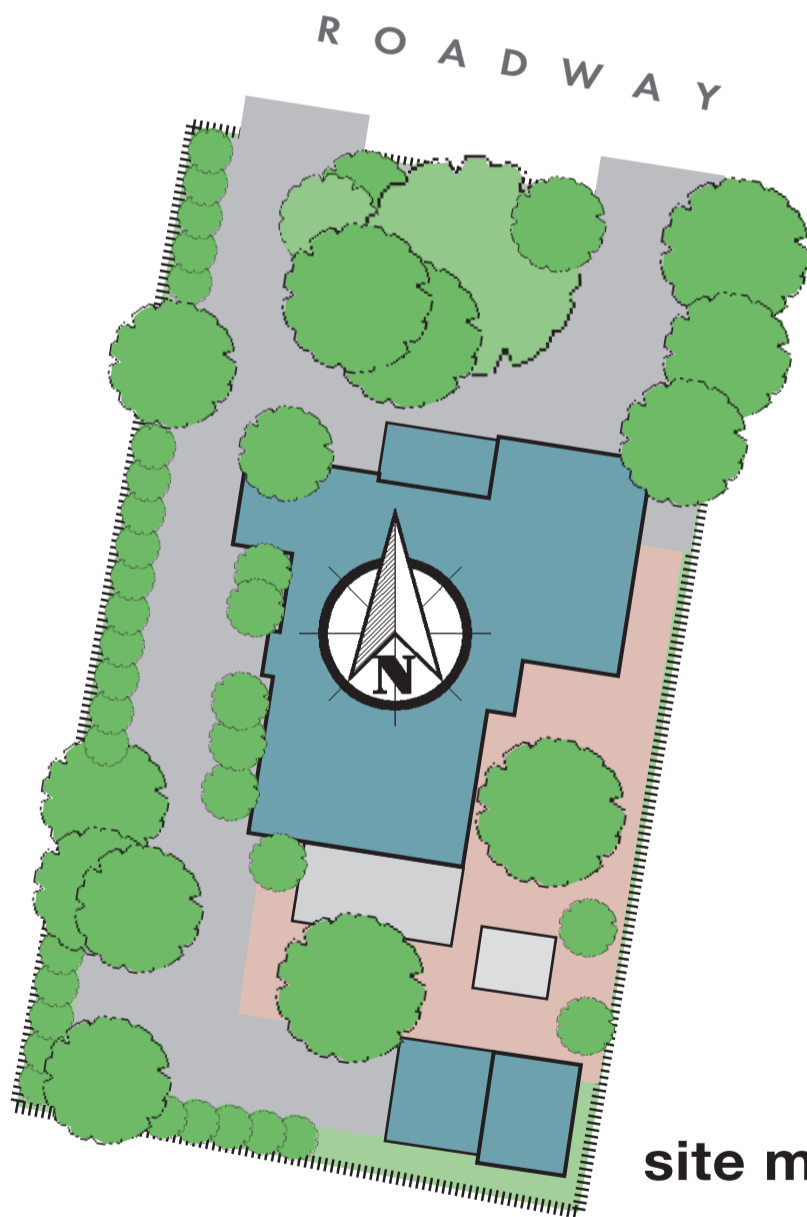


**first floor**

currently self-contained apartment

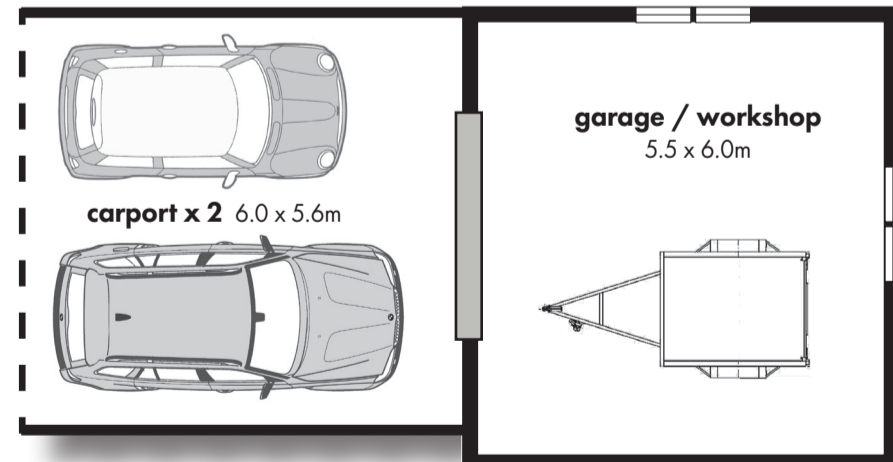


**ground floor**



**site map**

carport is approx. 7.5m from the house see site map for position of buildings



This plan is indicative of layout only – Measurements are approximate. All information contained herein was gathered from sources we believe to be reliable. E&OE. However the Agent and Flor Planz Plus cannot guarantee its accuracy and all persons should rely on their own enquires. Drawn by florplanzplus@gmail.com 0427 496 264 • 02102017 copywrite ©

